

HD Commercial Tank

3000-8000 Gal.

CONCRETE PRODUCTS

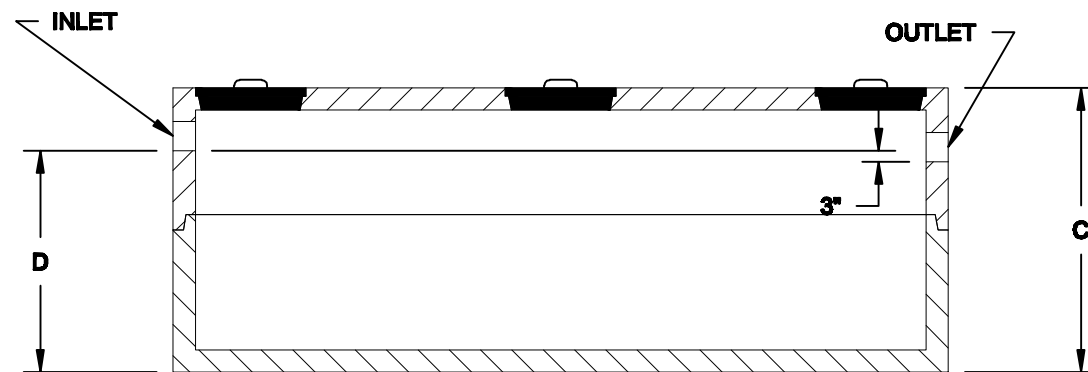
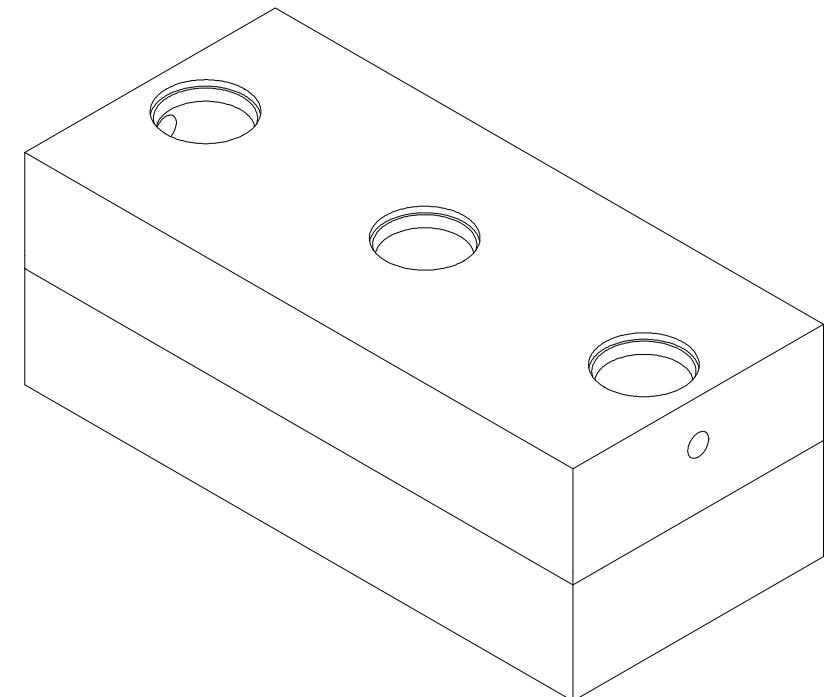
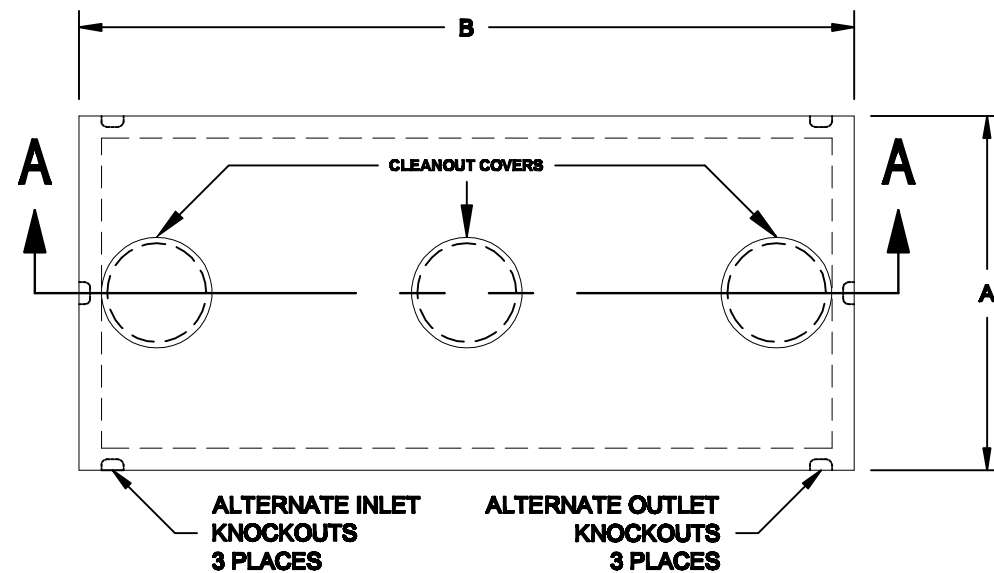
356 Tuckie Road
N. Windham, CT 06256
(860) 423-4144

FAX (860) 456-1377

PRODUCT CODE
HDCT

DESIGN NOTES:

- Inlet and outlet baffle to be made of PVC pipe.
- Concrete is 5000 psi at 28 days.
- Sealed with a butyle rubber.
- Excavation must be at least 12" wider and longer than tank size.



SECTION A-A

Pre-cast Bulkheads, Steps, and Septic Tanks

TABULATION CHART

GALLONS	A	B	C	D
3000	8'-0"	17'-6"	5'-9"	4'-4"
3500	8'-0"	17'-6"	6'-5"	5'-0"
4000	8'-0"	17'-6"	7'-1"	5'-8"
5000	8'-0"	17'-6"	8'-2"	6'-9"
6000	8'-0"	17'-6"	9'-5"	8'-0"
7000	8'-0"	17'-6"	10'-7"	9'-2"
8000	8'-0"	17'-6"	11'-9"	10'-4"